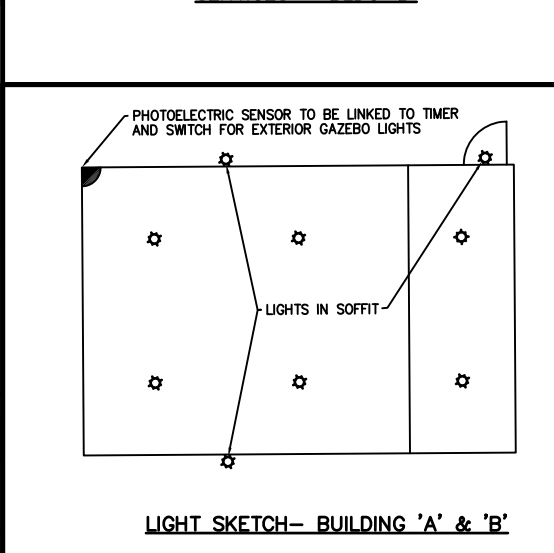
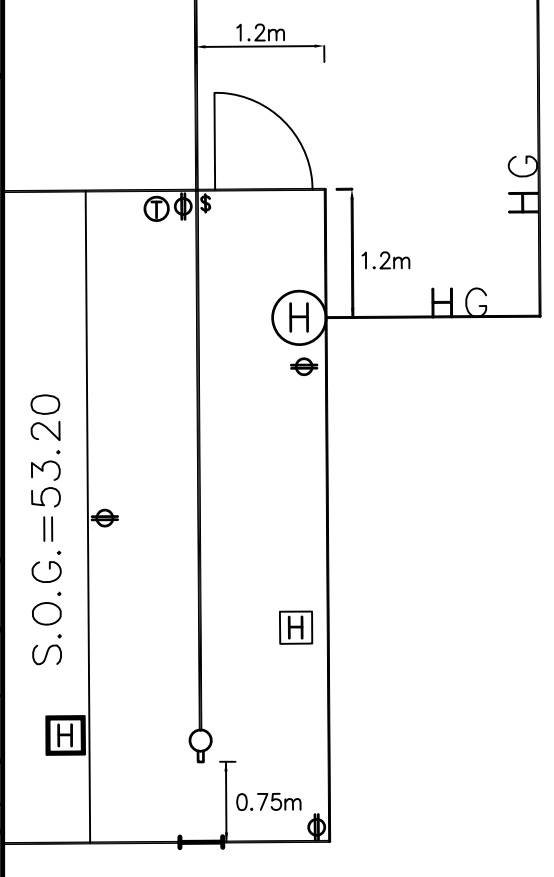
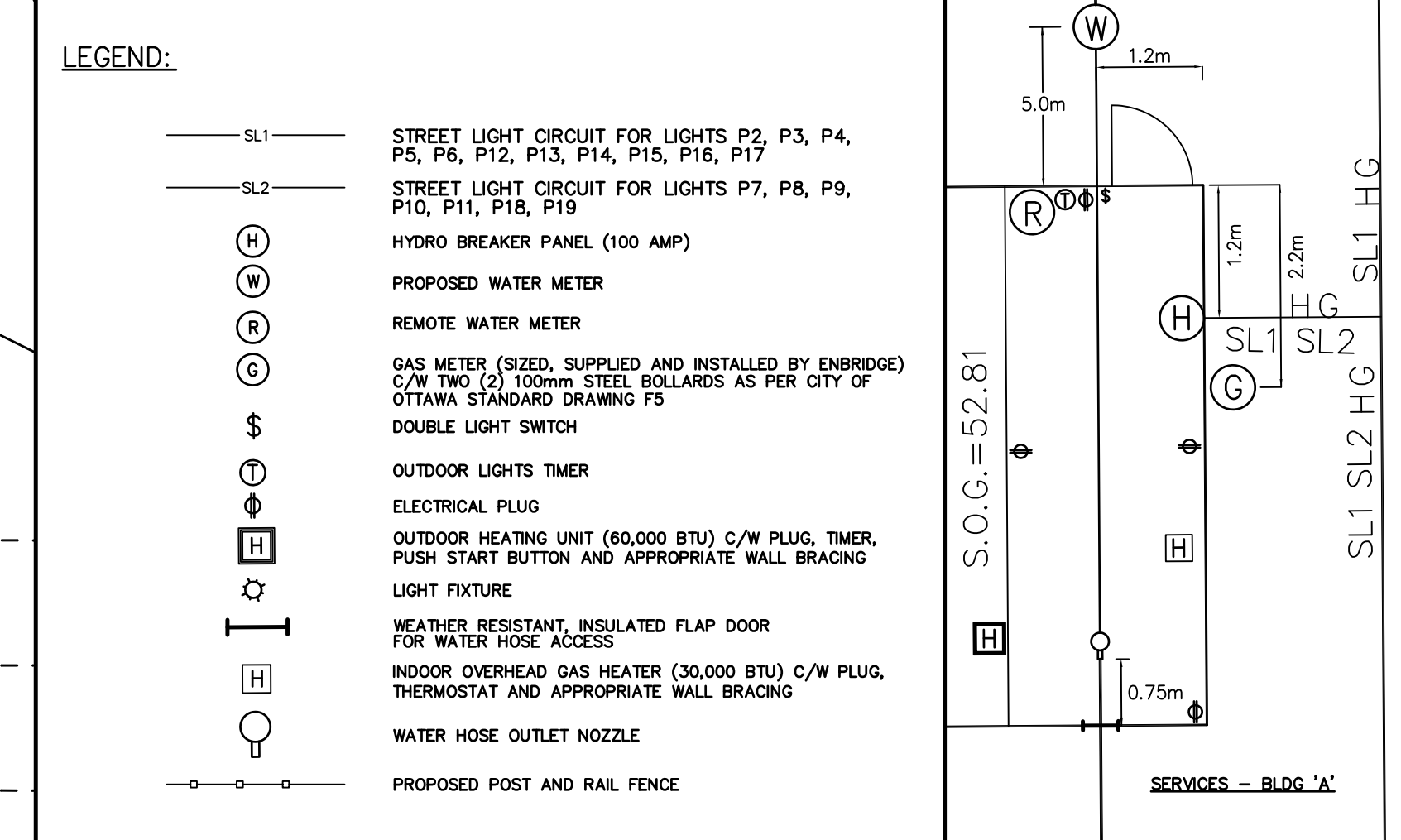
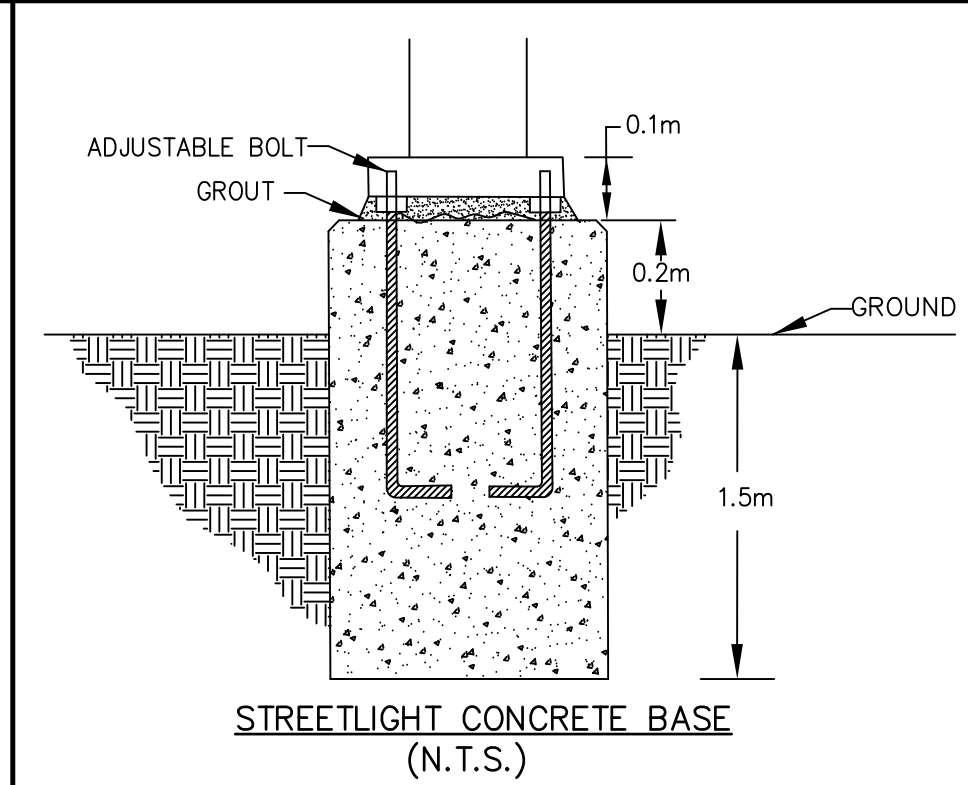
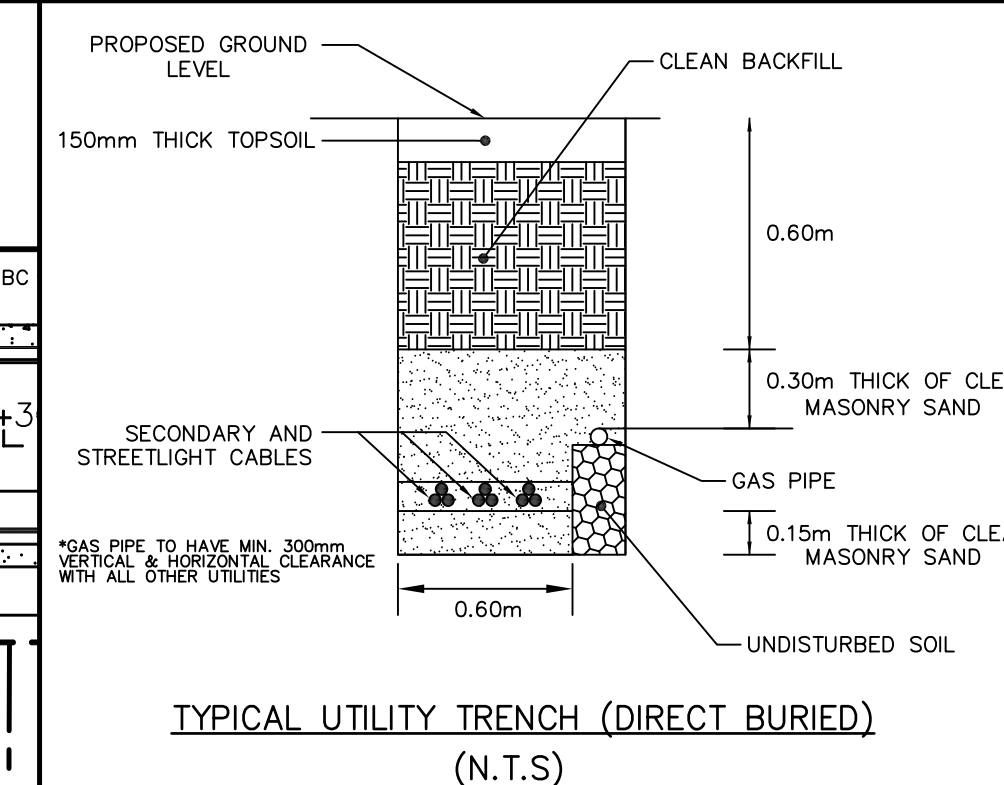
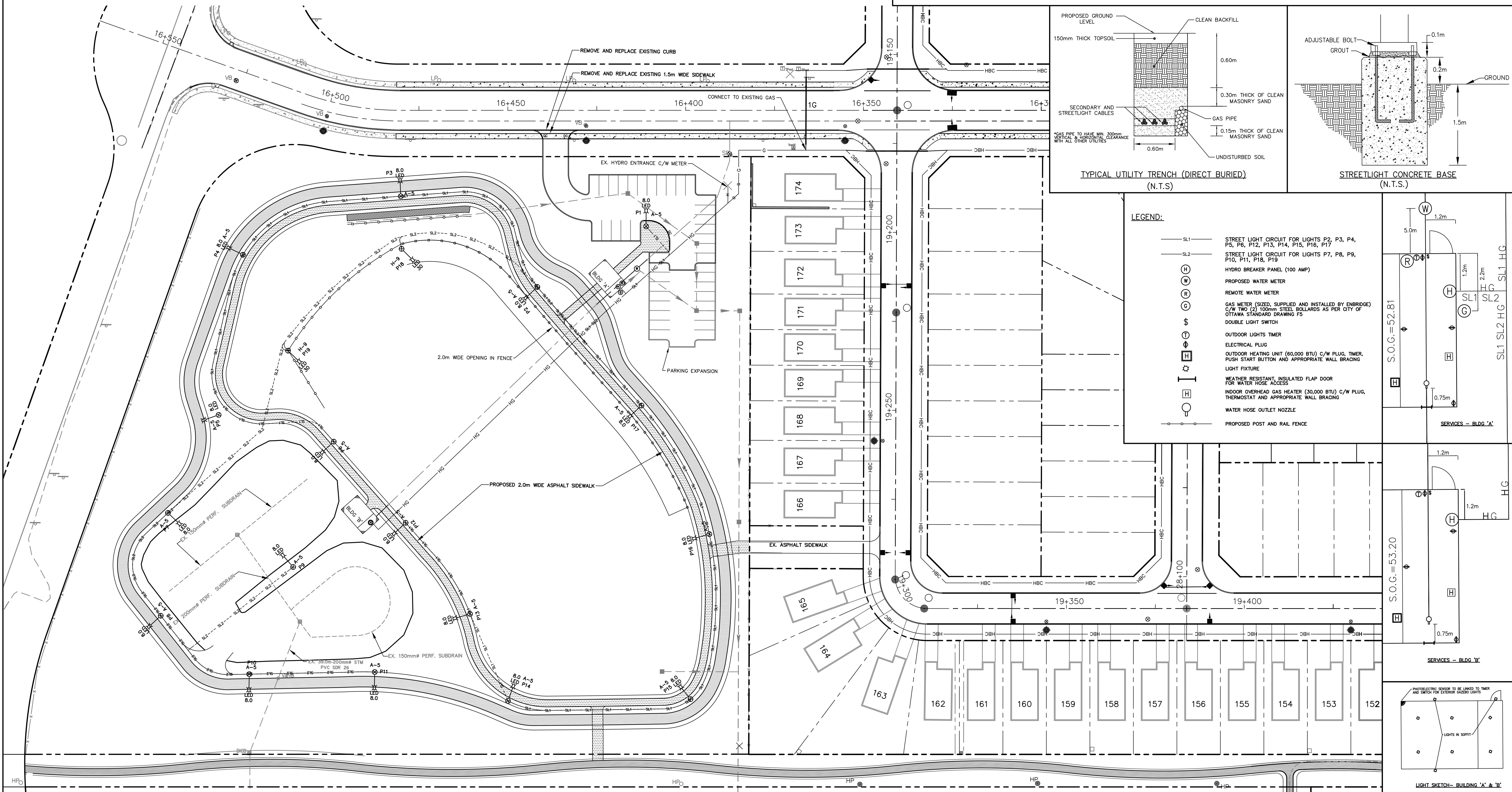
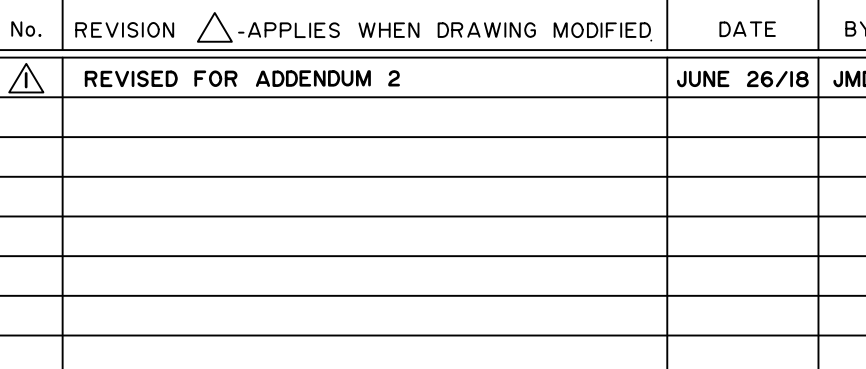


Symbol	Quantity	Manufacturer	Catalog Number	Description	Lamp	Filename	Lumens Per Lamp	Wattage
	17	PHILIPS LIGHTING, LITTLESTOWN	MPTC-80W48LED3K-G2-LE2 POLE: APRW-16-LBC4C	UrbanScape LED Post-Top (MPTC), 48 LED's, 3000K CCT, TYPE LE2 OPTIC, No Lens	(3) LEDline ARRAY(S) DRIVEN AT 530mA	MPTC-80W48LED3K-G2-LE2.IES	6187.385	81.3
	2	PHILIPS GARDCO	PFF-276L-700-NW-G1-AIRP POLE: SRS-30H-5-T2-NP	PHILIPS POWERFORM LED FLOOD	(6) HO MODULE WITH 46 CREE XP62 LEADS DRIVEN AT 700mA	PFF-276L-700-NW-G1-AIRP.IES	71857.38	614

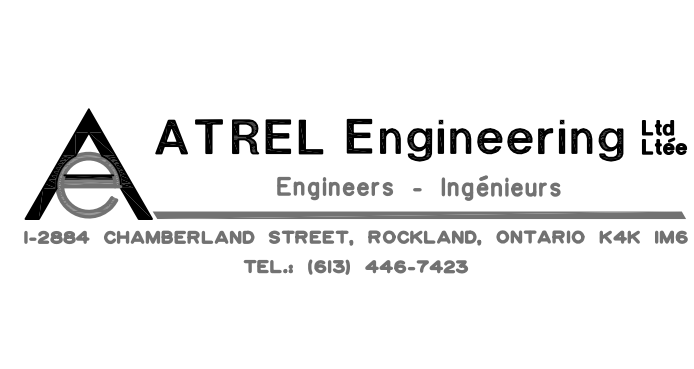


THE POSITION OF ALL POLE LINES, CONDUITS, WATERMANS, SEWERS AND OTHER UNDERGROUND AND OVERGROUND UTILITIES AND STRUCTURES IS NOT NECESSARILY SHOWN ON THE CONTRACT DRAWINGS, AND WHERE SHOWN, THE ACCURACY OF THE POSITION OF SUCH UTILITIES AND STRUCTURES IS NOT GUARANTEED. BEFORE STARTING WORK, DETERMINE THE EXACT LOCATION OF ALL SUCH UTILITIES AND STRUCTURES AND ASSUME ALL LIABILITY FOR DAMAGE TO THEM.

No.	REVISION	APPLIES WHEN DRAWING MODIFIED	DATE	BY
1	REVISED FOR ADDENDUM 2		JUNE 26/18	JMD



DESIGN	SAB
CHECKED	JMD
DRAWN	SAB
CHECKED	JMD
APPROVED	JMD



CITY OF CLARENCE-ROCKLAND
MORRIS PARK
 PLAN
UTILITIES & STREET LIGHTING PLAN

PROJECT No. 180403
 DATE MAY 2018
 DRAWING No. 180403-USLI